



Model 931 Animal Stereotaxic Instruments

Model 931 Small Animal Stereotaxic Instrument

Model 931, designed in 2016(1394) as the second stereotaxic instrument by Toos BioResearch Co(ZKT), is an easy-to-use instrument that facilitates proper alignment of animals as Monkey, Cat, Rabbit for the stereotaxic placement of electrodes, micropipettes, cannula and other devices.

The process in which the instrument is built and assembled assures that the researcher will be able to make accurate placements. Precise alignment of the slides assures smooth movements resulting in correct use of the atlases.

The instrument consists of a main frame to which is affixed a three-dimensional Electrode Manipulator. A Standard Electrode Holder with corner clamp is included.

Manipulator X, Y, Z Adjustment: Metric scale, 80 mm travel in X, Y and 200mm in Z direction, calibrated 1 mm/rev, 0.1 mm resolution in linear.

Angle adjustment: Fully universal joint calibrated on two planes for access from any angle. Vertical alignment pin can be removed for angled settings from 0° - 90° either side of vertical, 1° increments.

Rotation Adjustment: Manipulator swivel base can be rotated up to 360°. Manipulator X/Z axis can be repositioned at 5 or 10° increments.

The stereotaxic frame is mounted to a 400 mm L x 250 mm. Height of main frame is adjustable and Ear bar slots on the main frame have 0.1 mm Vernier scale for ease in centering the animal.

A Monkey Adaptor features include eye bars and tooth bar assembly offering various stereotaxic adjustments.

Adaptor Plate A/P adjustment: 44 mm.

Ear Bars: 25° Tip Monkey Ear Bars (6.3 mm square with 80mm of calibration).

Ear Bars are adjustable between 0 to 180mm tips distance.

Our instruments were designed for versatility. Any standard accessory that is not required can be omitted and the appropriate accessories can be added for your specific research.

Features:

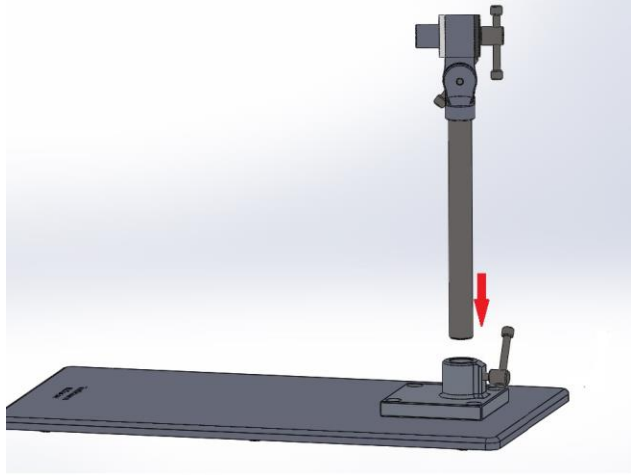
- ❖ Quality, versatility and ability to perform are guaranteed by Toos BioResearch Co.
- ❖ All parts in this instrument are manufactured by high quality and rustproof materials (AISI 304 Stainless Steel and Aluminum alloy 7000 series).
- ❖ Combines student level operating simplicity with research quality and accuracy.
- ❖ Permits accurate and reliable stereotaxic placement.
- ❖ Modular accessories allow for expansion of instrument capabilities.
- ❖ Adaptable for use with a wide variety of small animals.



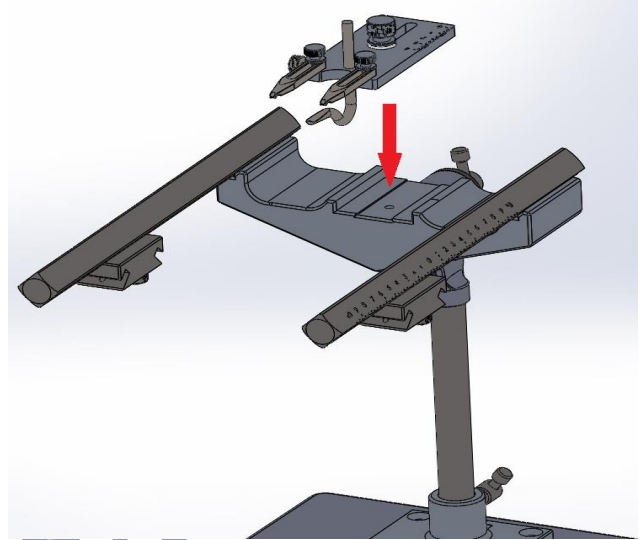
Model 931 Monkey Stereotaxic Frame

Instruction of assembly:

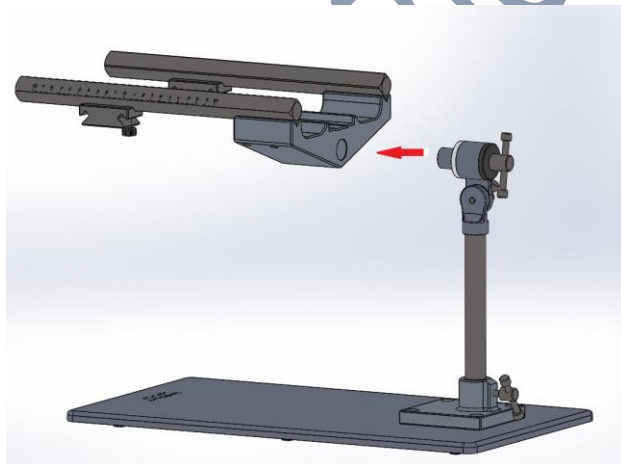
1- As shown below for first step, this parts must be assembled through the following:



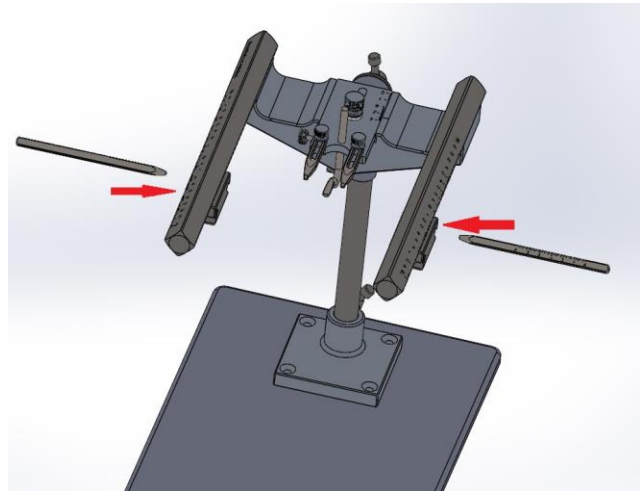
3- For third step, as shown below, following pars must be assembled:



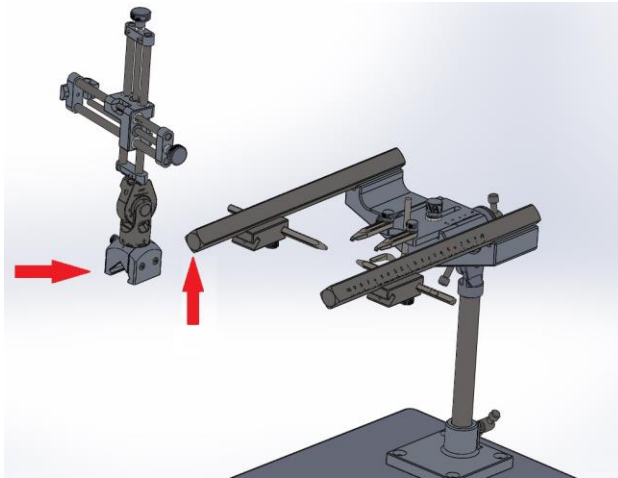
2- After that, for second step, following parts must be assembled:



4- Fourth step, shown below:



5- For this step, following assembly must be done:



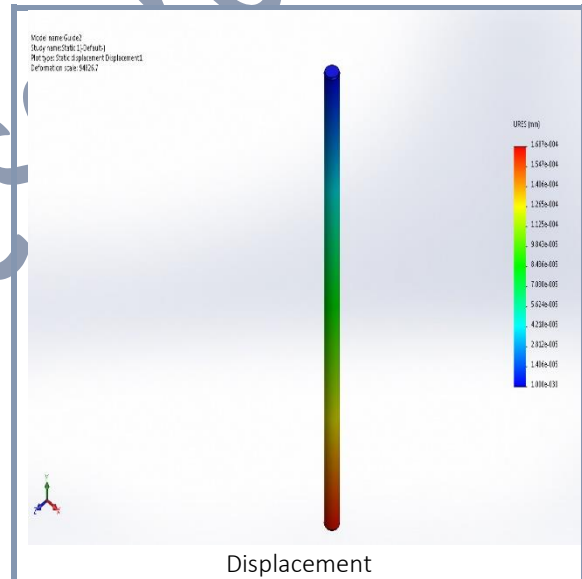
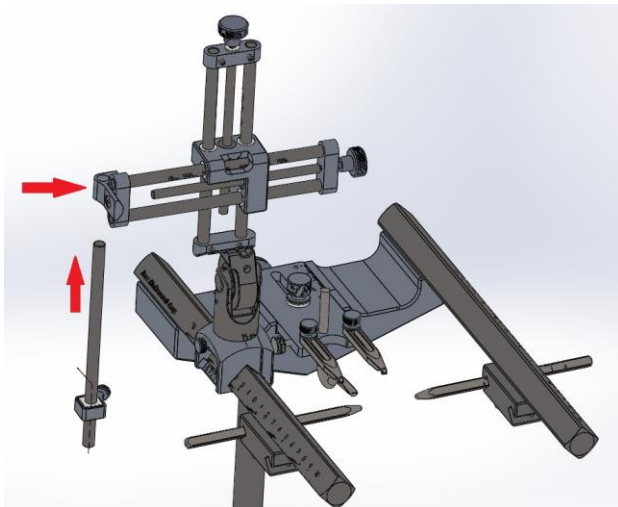
Stress Analysis test:

Material properties:

Property	Value	Units
Elastic Modulus	1.9e+011	N/m ²
Poisson's Ratio	0.29	N/A
Shear Modulus	7.5e+010	N/m ²
Mass Density	8000	kg/m ³
Tensile Strength	517017000	N/m ²
Compressive Strength		N/m ²
Yield Strength	206807000	N/m ²

For 10N tensile force:

6- Finally, for last step:



Maintenance condition:

- Do not use in temperature higher than 60 ° C
- For cleaning, use cloth soaked in alcohol
- Do not scratch with sharp objects on it